

General Description

The Digital Blocks DB8051C-FSM IP Core contains Digital Blocks compact DB8051C CPU Core & GPIO ports for complex Finite State Machine (FSM) implementations.

The DB8051C CPU Core fetches & executes instructions from Program Memory, which is user defined up to 64 KB. Program Memory can be either non-volatile memory or SRAM loaded from a non-volatile memory source. Users can, therefore, update the FSM at any point in the development cycle, including servicing the product in the field.

The DB8051C is ideally suited for programmable, complex FSM implementations, with its 8-bit architecture and 255 instructions, which include Arithmetic, Logical, Boolean Bit Manipulation, Data Transfer, & Program Branching. The Boolean Processor is for single-bit data manipulation, and the Arithmetic Unit's multiply/divide instructions consume a very low VLSI footprint. For fast program data storage & manipulation, the DB8051C contains an integrated 128/256 byte SRAM. Optionally, the user can add up to 64 KB of Data Memory. Through user selectable 1-800 GPIO, the FSM interfaces with the external logic under control. Figure 1 depicts the DB8051C-FSM IP Core.

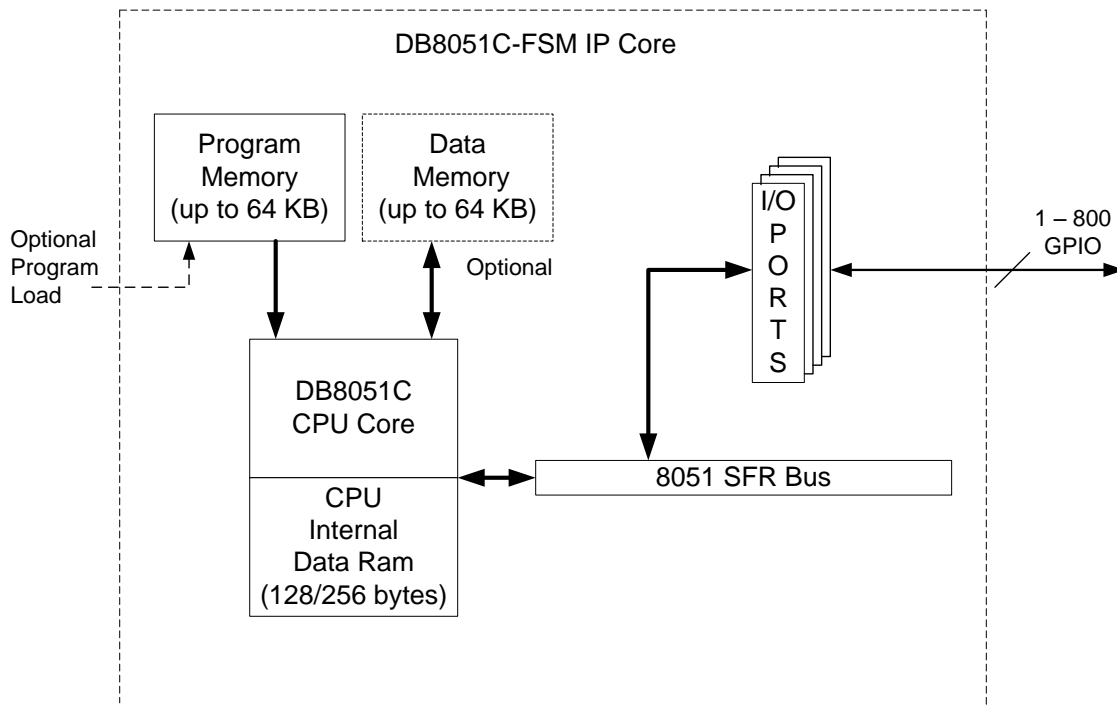


Figure 1: DB8051C-FSM – IP Core Diagram

Features

- 8-bit Microcontroller Binary Compatible with MCS®51 Instruction Set
- Standard 8051 Architecture
 - Arithmetic / Logical Unit
 - Hardware Multiply / Divide with low VLSI footprint
 - Boolean Processor for Bit Manipulation
 - Branching Instructions for Program Control
 - Data Transfer Instructions
 - 5 Addressing Modes: Register, Direct, Indirect, Immediate, Indexed. Requires less Program Code Memory
 - 111 instructions
 - Internal Data RAM, user defined as 128 or 256 bytes
- Enhanced 8051 Architecture
 - 3 Cycles Per Instruction Execution
- Streamlined ASIC & ASSP & FPGA Integration
 - Registered RAMs
 - Hardware Micro Control Unit
 - Unidirectional Busses
 - Fully Static, Rising Edge Only, Synchronous Design
- Program Memory
 - User Defined, up to 64 KB
 - Non-Volatile Memory or Configurable SRAM
- Data Memory
 - User Defined, up to 64 KB
- General Purpose I/O (GPIO) for Finite State Machine Inputs / Outputs
 - User Defined, 1 – 800 GPIO
- Optional Peripherals:
 - Full-Duplex Serial Port
 - Serial Port Interface (SPI)
 - I2C Controller (I2C)
 - Interrupt Controller supporting 6 sources
 - Watchdog Timer
 - Three 16-bit counters / timers (T0, T1, T2)
 - PWM DAC with programmable frequency

8051 Instruction Set Summary

Arithmetic Operation			
Instruction		Description	Bytes
ADD	A, Rn	Add register to Accumulator	1
ADD	A, direct	Add direct byte to Accumulator	2
ADD	A, @Ri	Add indirect RAM to Accumulator	1
ADD	A,#data	Add immediate data to Accumulator	2
ADDC	A, Rn	Add register to Accumulator with Carry	1
ADDC	A, direct	Add direct byte to Accumulator with Carry	2
ADDC	A, @Ri	Add indirect RAM to Accumulator with Carry	1
ADDC	A,#data	Add immediate data to Accumulator with Carry	2
SUBB	A, Rn	Subtract Register from Accumulator with Borrow	1
SUBB	A, direct	Subtract direct byte from Accumulator with Carry	2
SUBB	A, @Ri	Subtract indirect RAM from Accumulator with Carry	1
SUBB	A,#data	Subtract immediate data from Accumulator with Carry	2
INC	A	Increment Accumulator	1
INC	Rn	Increment Register	1
INC	direct	Increment direct byte	2
INC	@ri	Increment direct RAM	1
DEC	A	Decrement Accumulator	1
DEC	Rn	Decrement Register	1
DEC	direct	Decrement direct byte	2
DEC	@ri	Decrement direct RAM	1
INC	DPTR	Increment Data Pointer	1
MUL	AB	Multiply A & B	1
DIV	AB	Divide A & B	1
DA	A	Decimal Adjust Accumulator	1

Logical Operation			
Instruction		Description	Bytes
ANL	A, Rn	AND Register to Accumulator	1
ANL	A, direct	AND direct byte to Accumulator	2
ANL	A, @Ri	AND indirect RAM to Accumulator	1
ANL	A,#data	AND immediate data to Accumulator	2
ANL	direct, A	AND Accumulator to direct byte	2
ANL	direct, #data	AND immediate data to direct byte	3
ORL	A, Rn	OR Register to Accumulator	1
ORL	A, direct	OR direct byte to Accumulator	2
ORL	A, @Ri	OR indirect RAM to Accumulator	1
ORL	A,#data	OR immediate data to Accumulator	2
ORL	direct, A	OR Accumulator to direct byte	2
ORL	direct, #data	OR immediate data to direct byte	3
XRL	A, Rn	Exclusive-OR Register to Accumulator	1
XRL	A, direct	Exclusive-OR direct byte to Accumulator	2
XRL	A, @Ri	Exclusive-OR indirect RAM to Accumulator	1
XRL	A,#data	Exclusive-OR immediate data to Accumulator	2
XRL	direct, A	Exclusive-OR Accumulator to direct byte	2
XRL	direct, #data	Exclusive-OR immediate data to direct byte	3
CLR	A	Clear Accumulator	1
CPL	A	Complement Accumulator	1
RL	A	Rotate Accumulator Left	1
RLC	A	Rotate Accumulator Left through the Carry	1
RR	A	Rotate Accumulator Right	1
RRC	A	Rotate Accumulator Right through the Carry	1
SWAP	A	Swap Nibbles within the Accumulator	1

Data Transfer Operation			
Instruction		Description	Bytes
MOV	A, Rn	Move Register to Accumulator	1
MOV	A, direct	Move direct byte to Accumulator	2
MOV	A, @Ri	Move indirect RAM to Accumulator	1
MOV	A, #data	Move immediate data to Accumulator	2
MOV	Rn, A	Move Accumulator to Register	1
MOV	Rn, direct	Move direct byte to Register	2
MOV	Rn, #data	Move immediate data to Register	2
MOV	direct, A	Move Accumulator to direct byte	2
MOV	direct, Rn	Move Register to direct byte	2
MOV	direct, direct	Move direct byte to direct byte	3
MOV	direct, @Ri	Move indirect RAM to direct byte	2
MOV	direct, #data	Move immediate data to direct byte	3
MOV	@Ri, A	Move Accumulator to indirect RAM	1
MOV	@Ri, direct	Move direct byte to indirect RAM	2
MOV	@Ri, #data	Move immediate data to indirect RAM	2
MOV	DPTR, #data16	Load Data Pointer with a 16-bit constant	3
MOVC	A, @A+DPTR	Move Code byte relative to DPTR to Accumulator	1
MOVC	A, @A+PC	Move Code byte relative to PC to Accumulator	1
MOVX	A, @Ri	Move External Data RAM (8-bit Address) to Accumulator	1
MOVX	A, @DPTR	Move External Data RAM (16-bit Address) to Accumulator	1
MOVX	@Ri, A	Move Accumulator to External Data RAM (8-bit Address)	1
MOVX	@DPTR, A	Move Accumulator to External Data RAM (16-bit Address)	1
PUSH	direct	Push direct byte onto stack	2
POP	Direct	Pop direct byte from stack	2
XCH	A, Rn	Exchange Register with Accumulator	1
XCH	A, direct	Exchange direct byte with Accumulator	2
XCHD	A, @Ri	Exchange low-order Digit indirect RAM with Accumulator	1

Boolean Variable Manipulation			
Instruction		Description	Bytes
CLR	C	Clear Carry	1
CLR	bit	Clear direct bit	2
SETB	C	Set Carry	1
SETB	bit	Set direct bit	2
CPL	C	Complement Carry	1
CPL	bit	Complement direct bit	2
ANL	C, bit	AND direct bit to Carry	2
ANL	C, /bit	AND complement of direct bit to Carry	2
ORL	C, bit	OR direct bit to Carry	2
ORL	C, /bit	OR complement of direct bit to Carry	2
MOV	C, bit	Move direct bit to Carry	2
MOV	bit, C	Move carry to direct bit	2
JC	rel	Jump if Carry is set	2
JNC	rel	Jump if Carry not set	2
JB	bit, rel	Jump if direct bit is set	3
JNB	bit, rel	Jump if direct bit is Not set	3
JBC	Bit, rel	Jump if direct bit is set & clear bit	3

Program Branching			
Instruction		Description	Bytes
ACALL	addr11	Absolute Subroutine Call	2
LCALL	addr16	Long Subroutine Call	3
RET		Return from Subroutine	1
RETI		Return from interrupt	1
AJMP	addr11	Absolute Jump	2
LJMP	addr16	Long Jump	3
SJMP	rel	Short Jump (relative addr)	2
JMP	@A+DPTR	Jump indirect relative to the DPTR	1
JZ	rel	Jump if Accumulator is zero	2
JNZ	rel	Jump if Accumulator is Not Zero	2
CJNE	A, direct, rel	Compare direct byte to Accumulator and Jump if Not Equal	3
CJNE	A, #data, rel	Compare immediate to Accumulator and Jump if Not Equal	3
CJNE	Rn, #data, rel	Compare immediate to register and Jump if Not Equal	3
CJNE	@Ri, #data, rel	Compare immediate to indirect and Jump if Not Equal	3
DJNZ	Rn, rel	Decrement Register and Jump if Not Zero	2
DJNZ	direct, rel	Decrement direct byte and Jump if Not Zero	3
NOP		No Operation	1

Verification Method

Digital Blocks provides Simulation & FPGA verification platforms. The DB8051C simulation test suite loads Program Memory, exercises all instructions, and checks expected results. Building out from the directed tests are 8051 programs loaded and run on the DB8051C with expected results checked.

The DB8051C FPGA verification platform exercises the DB8051C in Xilinx & Altera FPGAs. Please contact Digital Blocks for additional information.

Customer Evaluation

Digital Blocks offers a variety of methods for prospective customers to evaluate the DB8051C. Please contact Digital Blocks for additional information.

Deliverables

The DB8051C is available in synthesizable RTL Verilog / VHDL, along with the simulation test bench with expected results, datasheet, and user manual.

Ordering Information

Please contact Digital Blocks for additional technical, pricing, evaluation, and support information.

Digital Blocks, Inc.
PO Box 192
587 Rock Rd
Glen Rock, NJ 07452 USA
Phone: +1-201-251-1281
Fax: +1-702-552-1905
info@digitalblocks.com

Copyright © Digital Blocks, Inc. 2009-2011, ALL RIGHTS RESERVED

###

Digital Blocks is a registered trademark of Digital Blocks, Inc.
All other trademarks are the property of their respective owners